



Tuflex® Spartus Rubber Flooring

INTERLOCKING EDGE PRODUCT SUBMITTAL

Finish	Smooth
Nominal Dimensions	25 3/4" (65.4 cm) x 25 3/4" (65.4 cm) x 3/8" (9 mm) Interlocking Tiles (4.6046 sq.ft.)

ASTM E648 (NFPA 253) - Critical Radiant Flux	Class 1, $\geq 0.45 \text{ W/cm}^2$
ASTM E662 (NFPA 258) - Smoke Density	Passes, ≤ 450
ASTM D2047 - Static Coefficient of Friction	≥ 0.50

ADA Standards for Accessible Design states the floor surface shall be stable, firm and slip resistant. Our test results utilize the James Machine as described in D2047 and as described in UL410 for floor covering materials (FCM) utilizing a leather foot under dry conditions. Maintenance processes and commonly utilized site applied finishes, polishes and other sealers to maintain resilient flooring products will change the walking surface and ultimately the Static Coefficient of Friction.

ASTM F970 - Static Load Resistance	Passes, $< 0.005"$ Indentation @ 250 psi
ASTM F970 - Static Load Resistance, Modified	Passes, $\leq 0.005"$ Indentation @ 1000 psi

ASTM F970 testing at loads above 250 psi is outside the scope of the test method. Since testing is conducted on flooring product alone, our stated results do not take into consideration chosen adhesive, any utilized underlayments and/or substrates or subfloors. These results should not be construed as an indicator of installed flooring performance.

ASTM F925 - Chemical Resistance	Excellent with chemicals listed in standard, Additional chemicals available via chart
--	---

ASTM F925 testing is utilized to ensure flooring materials will stand up to certain household standard chemistries. Additional chemical resistance testing performed using this test method is for informational and guidance purposes only. Proper maintenance will have an effect on chemical resistance, but the best defense against a negative effect is to clean the drop/spill from the flooring surface immediately.

ASTM D3389 - Abrasion Resistance	Excellent, $\leq 1 \text{ g loss}$ (after 1000 cycles)
ASTM G21 - Resistance to Fungi	Excellent
ASTM D2240 - Durometer Hardness Indention	$\geq 85 \text{ Shore A}$

ASTM F2772 - Athletic Performance Properties of Indoor Sports Floor Systems	
ASTM F2569 - Shock Absorption	Passes Class 1
ASTM F2117 - Vertical Ball Rebound	Passes
ASTM F2157 - Vertical Deformation	Passes
ASTM E303 - Surface Friction	Dry; Passes

ASTM C518 - Thermal Resistance, R	Excellent, $0.178 \text{ F ft}^2\text{h/Btu}$
ASTM F1515 - Light Stability	Excellent, $\Delta E \leq 8$

Acoustical Performance - 6 Inch Concrete Slab	
ASTM E492 - Impact Insulation Class	IIC 52
ASTM E90 - Sound Transmission Class	STC 52
ASTM E2179 - Sound Reduction	$\Delta IIC 22$

Acoustical Performance - 6 Inch Concrete Slab / Ceiling Assembly	
ASTM E492 - Impact Insulation Class	IIC 63
ASTM E90 - Sound Transmission Class	STC 67

The above testing information is provided for informational and guidance when selecting flooring materials. Since testing is conducted on flooring product with or without underlayments and over laboratory substrates these results should not be construed as an indicator or installed flooring performance.



Tuflex® Spartus Rubber Flooring

INTERLOCKING EDGE PRODUCT SUBMITTAL

Acclimation Time 48 Hours

Service & Storage Temperature 60° - 85° F

See installation document for full installation details regarding approved substrates, job site conditions and acclimation procedures.

Product Limitations Interlocking material in applications that will be maintained with ride on auto scrubbing equipment, exposed to heavy rolling loads such as expandable bleachers, or etc. must be fully adhered to prevent movement under the weight and force of the loads.

Product Warranty 3 Year Exposure to Ice Skates
10 Year Commercial Wall to Wall Warranty

See product warranty for full details regarding limitations and warranty coverage.

Recommended Adhesives Excelsior PS-525, Modified Pressure Sensitive
Excelsior U-705, Urethane Wet-Set
Excelsior EW-710, Urethane Enhanced Epoxy Adhesive

Attributes & Certifications Made in the U.S.A.

- Meets Buy America Act (49 CFR Part 661, 49 U.S.C. 5323)
- Meets Buy American Act (7 CFR Part 1787, 41 U.S.C 8301-8305)
- Meets Federal Acquisition Regulation (FAR 52.225-9)
- Contributes to LEED v4/4.1
- FloorScore Certification
- Meets CA 01350 Requirements
- Meets CHPS Requirements
- NSF/ANSI 332 Platinum Certification
- Certified Min 24% Pre-Consumer Recycled Content
- Certified 30% Biobased Content
- HPD Available
- Red List Chemical Free
- Recyclable through the Roppe Impact Program



Tuflex® Spartus Rubber Flooring

INTERLOCKING EDGE PRODUCT SUBMITTAL

Technical Support

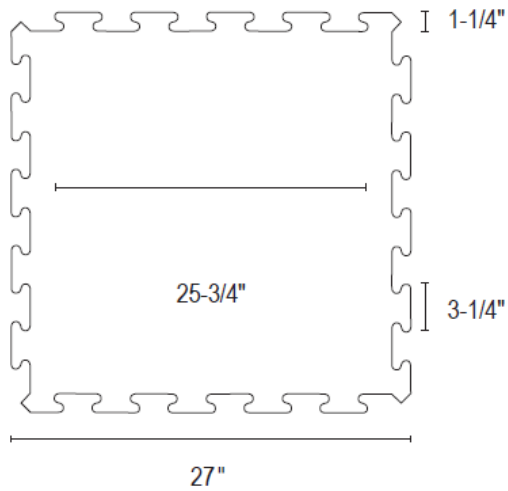
solutions@rhctechnical.com

Product Support

sales@roppe.com

Technical Documentation

www.roppe.com



Attach Color Sample Here